

# Special High Grade Zinc (SHG) 99.995%

## Technical Datasheet

### Uses

Zinc ingots of high purity (99.995%) for tube, wire, sheet or general galvanizing.  
Nyrstar Special High Grade Zinc 99.995% is an LME-approved brand, conforming to the specifications covering quality, shape and weight as defined by the special contract rules of the LME Standards.

### Chemical specification

Chemical specification	Guaranteed analysis	Typical SHG analysis
Pb	≤ 0.003%	0.0023%
Cd	≤ 0.002%	0.0005%
Fe	≤ 0.002%	0.0003%
Sn	≤ 0.001%	0.0003%
Cu	≤ 0.001%	0.0002%
Al	≤ 0.001%	0.0001%
Total of 6 elements above	≤ 0.005%	0.0041%

### Standards

Standard	Grade
International ISO752-2004 European EN1179:2003 Japanese JIS H2107-1957 American ASTM B6:07	Zn 99.995 Z1 Highest Pure Zinc Metal SHG

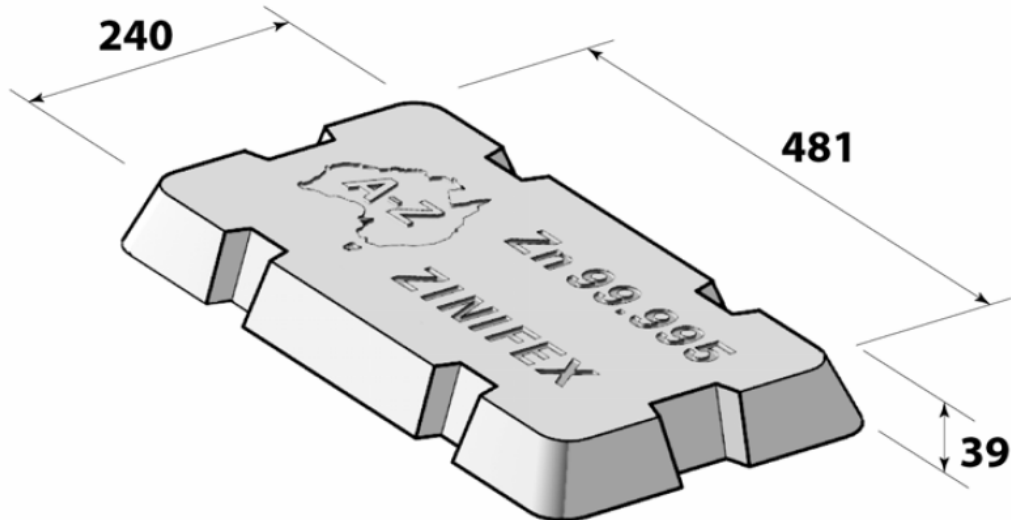
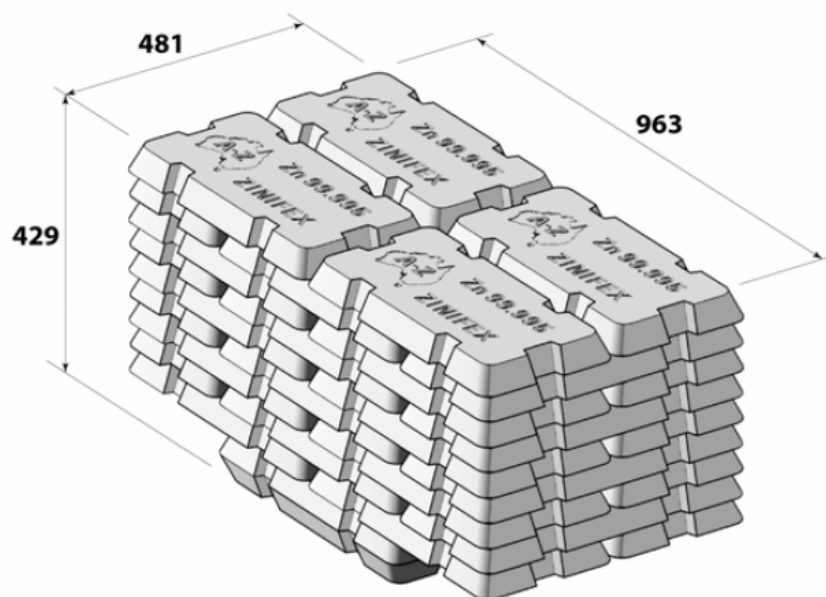
### Physical data

Physical property	Unit	Value
Density solid	kg/dm <sup>3</sup>	7.14
liquid (@ 419°C)	kg/dm <sup>3</sup>	6.62
Melting point	°C	419
Superficial tension (@ 450°C)	N/m	0.78
Melting enthalpy	KJ/kg	100
Thermal capacity solid	J/kg K	460
liquid	J/kg K	628

### Available shapes/package

Shape/package	Nominal weight (in kg)	Dimensions (in mm)
Slab	26	481 x 240 x 39
Slab bundle (40 slabs per bundle)	1040	963 x 481 x 429
L block	1135 ± 45	1820 x 455 x 260
G block	1089 ± 30	1410 x 460 x 290

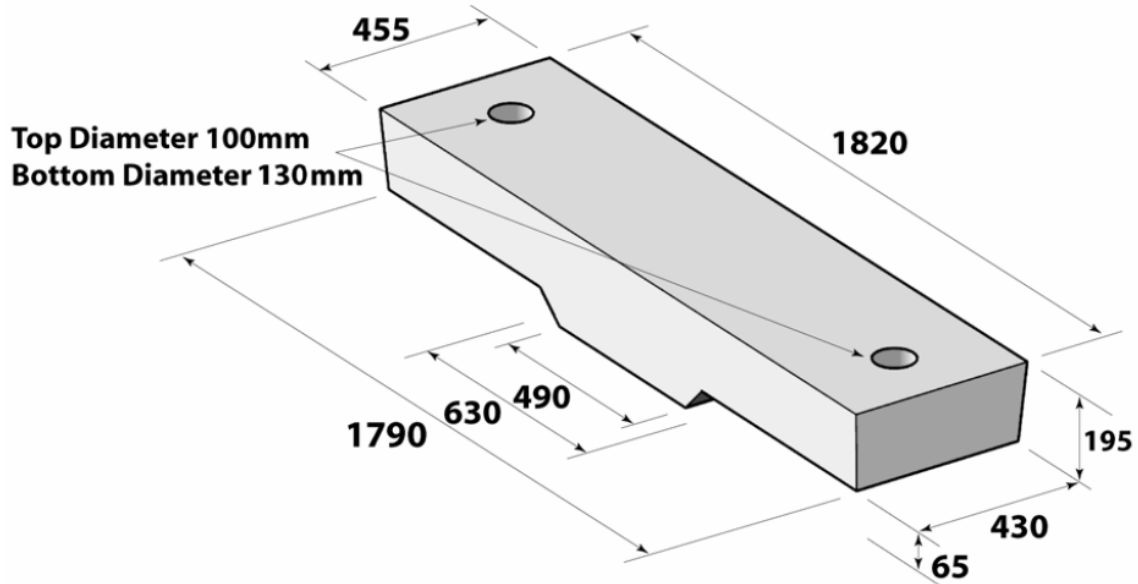
# Special High Grade Zinc (SHG) 99.995% Technical Datasheet

**Slab****Nominal mass 26 kg**  
**Dimensions 481 x 240 x 39****Slab bundle (40 slabs per bundle)****Nominal mass 1040 kg**  
**Dimensions 963 x 481 x 429**

# Special High Grade Zinc (SHG) 99.995% Technical Datasheet

L block (jumbo)

Nominal mass  $1135 \pm 45\text{kg}$   
Dimensions  $1820 \times 455 \times 260$



G block (jumbo)

Nominal mass  $1089 \pm 30\text{kg}$   
Dimensions  $1410 \times 460 \times 290$

